

**INNOVATION.  
NOT DUPLICATION.™**



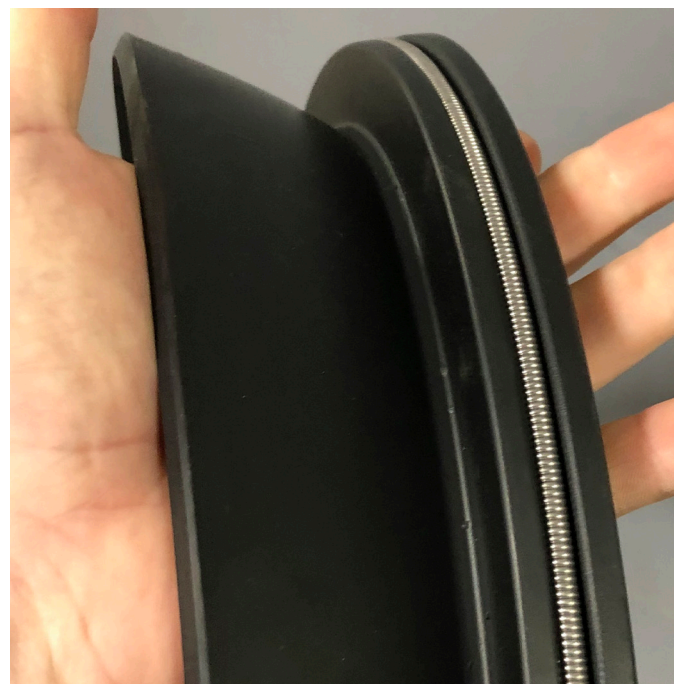
## **BIRRANA™ CONTAMINATION EXCLUDER SEAL**

H-E PARTS INTERNATIONAL (H-E PARTS) PROVIDES SOLUTIONS FOR THE ENTIRE DRIVETRAIN, SPECIALIZES IN THE RE-MANUFACTURE OF MAJOR MOBILE EQUIPMENT COMPONENTS, AND OFFERS INDUSTRY LEADING BIRRANA™ PRODUCTS. THE ENHANCED DESIGN FEATURES OF THE BIRRANA™ PRODUCTS DELIVER EXTENDED LIFE, EASE OF MAINTENANCE, AND SUPERIOR PERFORMANCE.

H-E Parts offers a dynamic, Birrana™ Contamination Excluder Seal for standard and extended life (EL) CAT 793 rear wheel groups. Depending on mine conditions, many CAT wheel groups have the potential for mud to pack between the brake and wheel hub around the outer mechanical face seal, which can cause premature failure. The Birrana™ Contamination Excluder Seal works by preventing mud packing in the area immediately around the face seal. This prevents contamination and damage to the face seal and the seal ramps, allowing the face seal to last longer.

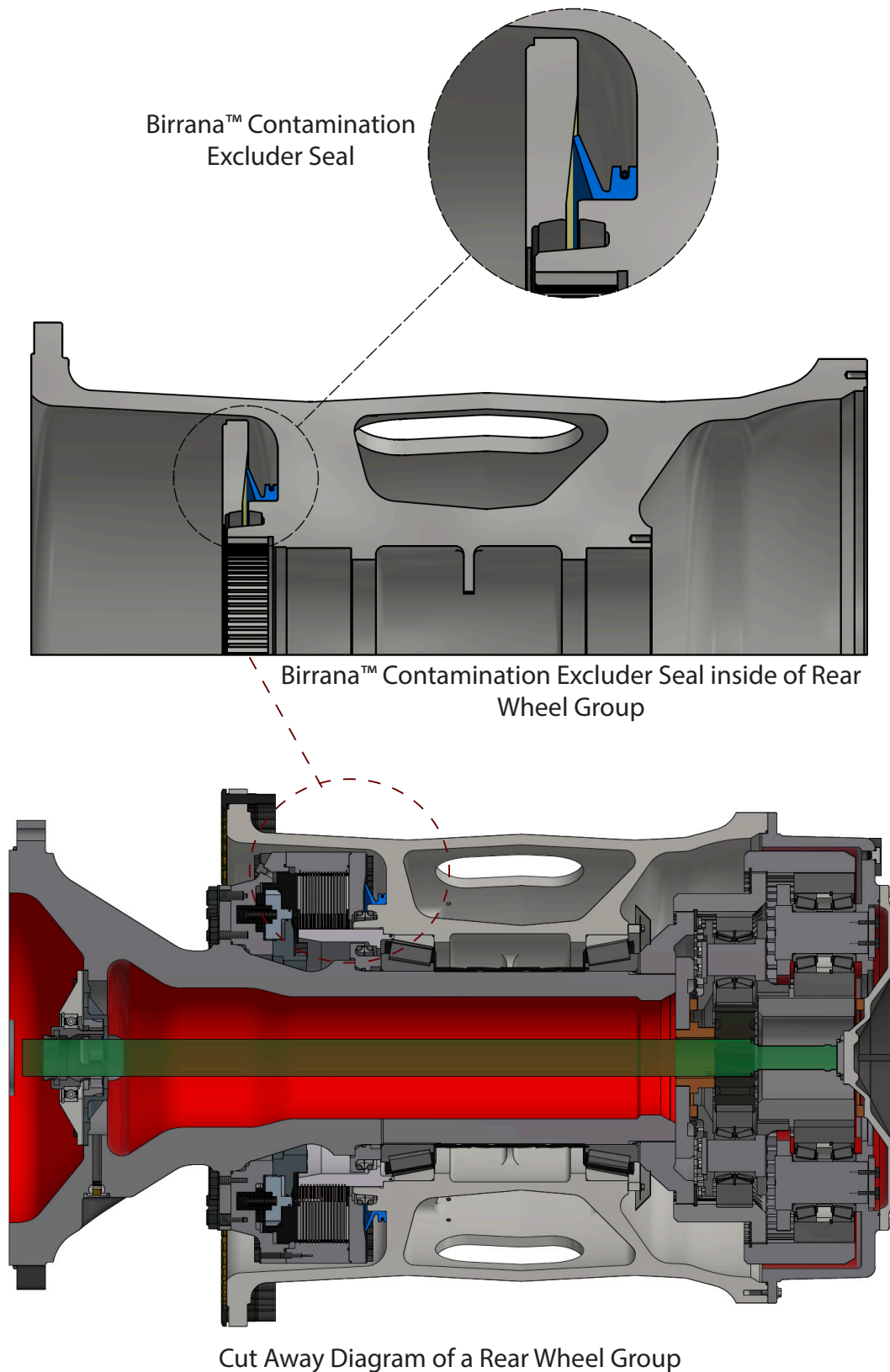
### **BENEFITS**

- Easy installation, installed with no modification of any housings
- Increased life of face seal
- Increased value from wheel groups achieving full life before needing to be repaired
- Cost savings from less maintenance on the wheel group
- Developed by highly trained, experienced H-E Parts engineers
- Reduced down time for machines, improving production



Birrana™ Contamination Excluder Seal before Installation

# DIAGRAM OF BIRRANA™ CONTAMINATION EXCLUDER SEAL IN REAR WHEEL GROUP



H-E Parts International replacement parts are compatible with the makes and/or models of the third-party equipment described. H-E Parts International is not an authorized repair facility of these third parties and it does not have an affiliation with any manufacturers of these third-party products. All brands, original equipment manufacturer (OEM) part numbers or references are owned by the respective OEM entities or their affiliates. These terms are used by H-E Parts International for identification and cross reference purposes only and are not intended to indicate affiliation with, or approval by the OEM, of H-E Parts International or its products.



MINING SOLUTIONS

HEPI12MAY20

[www.h-e-parts.com](http://www.h-e-parts.com)